



INSTALLATION GUIDE
(Vertical / Horizontal / Towel Rail)

UK Customers Service : 0161 8320821

Important Note for Installers

These instructions are intended to guide installers on the installation of Anit radiators. Please read these instructions thoroughly before starting installation and leave them with the householder for future reference.

Thanks for purchasing Anit radiator. Your choice is valuable for us.

Producing unique and high quality radiator is one the main missions of Anit Industrial Group, As a result of couple of year's researches, we are producing high efficient radiators with low water content which will allow for maximum comfort at low running cost for your central heating system.

Anit radiator is uniquely designed in terms of appearance and technical features. We are proud to have achieved the most stringent standards in the world in the field of production of radiator Such as CE (European standard), GOST (Russian standard) and Iranian standard certificate with the record of saving energy by 30% and achieving the grade A in energy efficiency. Anit radiators are exported to more than 10 countries such as Russia, Turkey, European countries, CIS ... by spending significant amount of money and investment in our research and development department.

Anit radiators are produced in horizontal and vertical models.

■ Horizontal radiators in lengths of 50, 80, 100 and 120 cm with standard Height of 50 cm in glass or glassless models.

■ Vertical radiators with a height of 150 cm and a width of 52 and 50 cm in different models of glass and without glass.

■ Towel dryer in different sizes and colors.

Anit radiators are compatible with all heating sources such as Combo Boilers, central Heating Systems and solar panels.

Dear customers

Please read the Installation guide carefully and completely before installing the radiator and pay attention to all Notices and follow the structure

even if you are professional Technician.

Please only ask professional technicians to install your radiator.

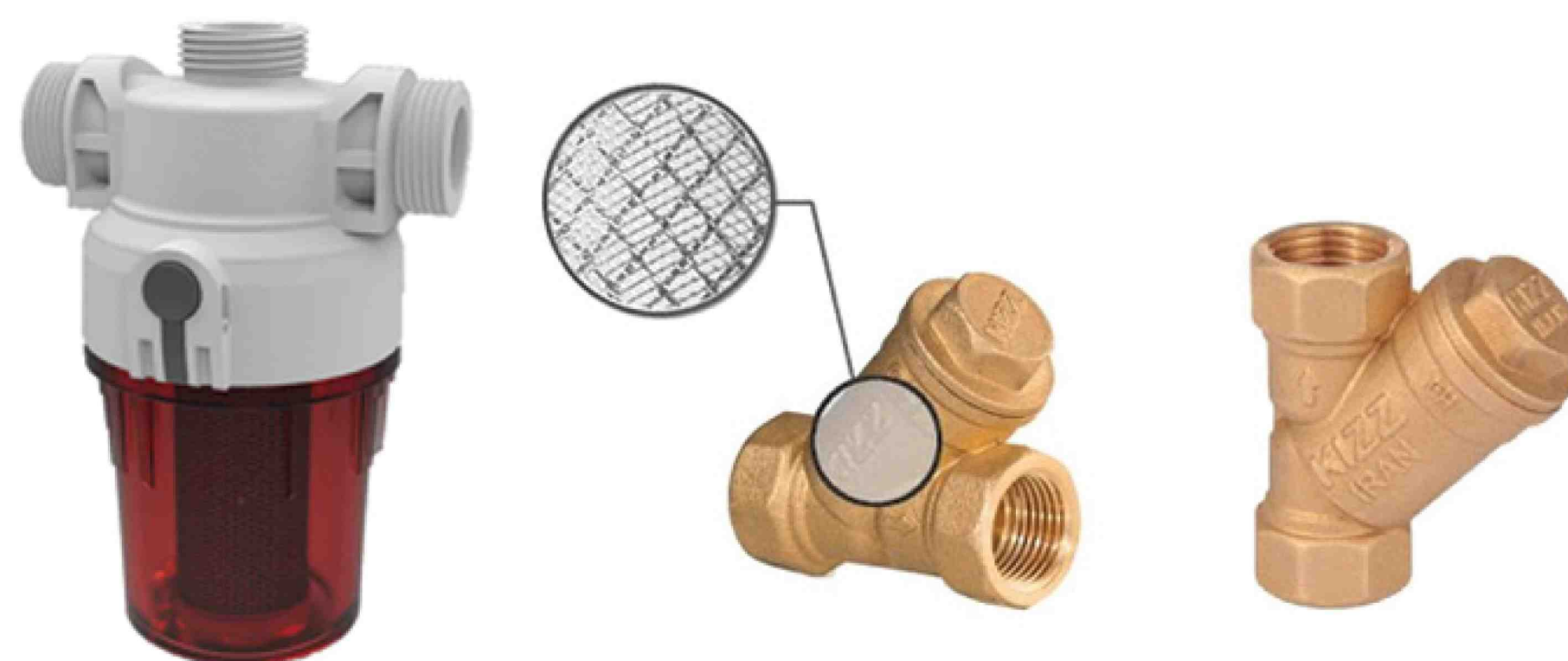
⚠ Make sure that the heating system and pipes are washed before installing the radiator to any possible rust in the building's plumbing system and install the radiator later.

⚠ Be sure to read the warranty terms in the relevant section before installation and do not install the radiator before accepting the warranty terms.

Technical Information:

Material	Aluminium 6063
Color Quality	Powder electrostatic coating
Energy Efficiency	A++
Pressure Tolerance before leakage	Up to 50bar
Competitive Innovations & Technologies	
Micro Fin Tech	Improving the heat output rate by increasing the Surface area.
Uniform Heating Tech	Uniform heating at overall surface , even at low water flow
Anti corrosion coating	Anti Corrosion Technology
Compatibility with heating systems	Highest Compatibility
Compatibility with Thermostatic Valves	Compatible
Type of Fitting	Precision Cnc Machined Thread Fittings
Standards	CE, GOST, ISO 9001, ISO 18001

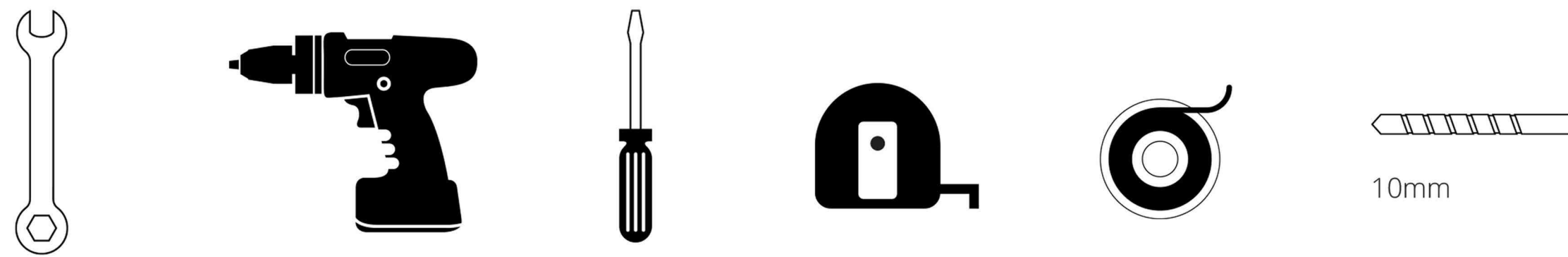
- Be Sure to use water Softener (Such as Polyphosphate filter) in the cold water path entering the combo boiler otherwise the radiator will be out of warranty.
- Be sure to use a brass filter in the hot water inlet to the radiator, and clean it after the first use within 2 months.



INSTALLATION GUIDE

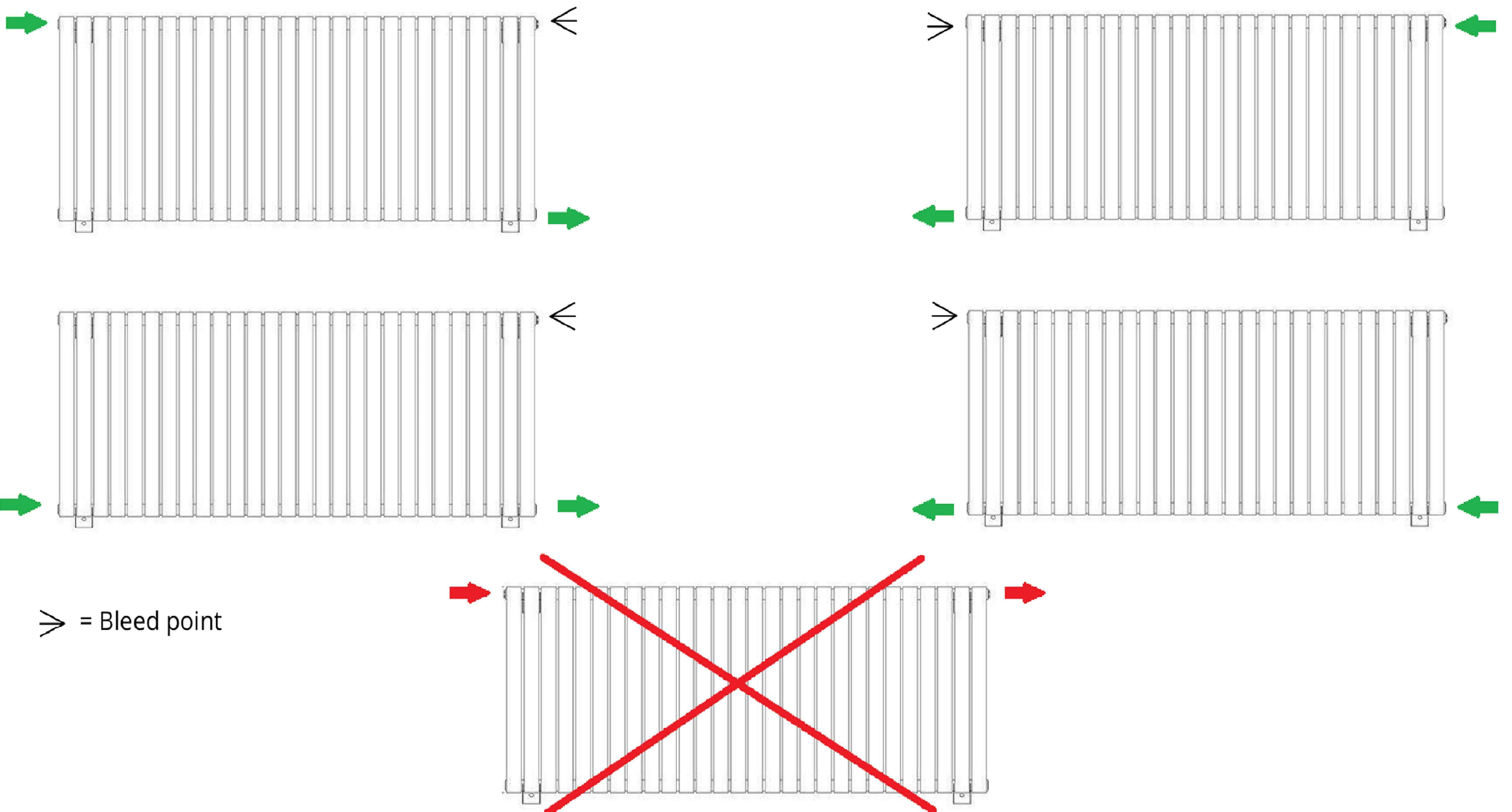
Tools:

Wrench, Allen Wrench, Screw, Screw Driver, Rawl Plug, Wall Mounted Braket, Drill



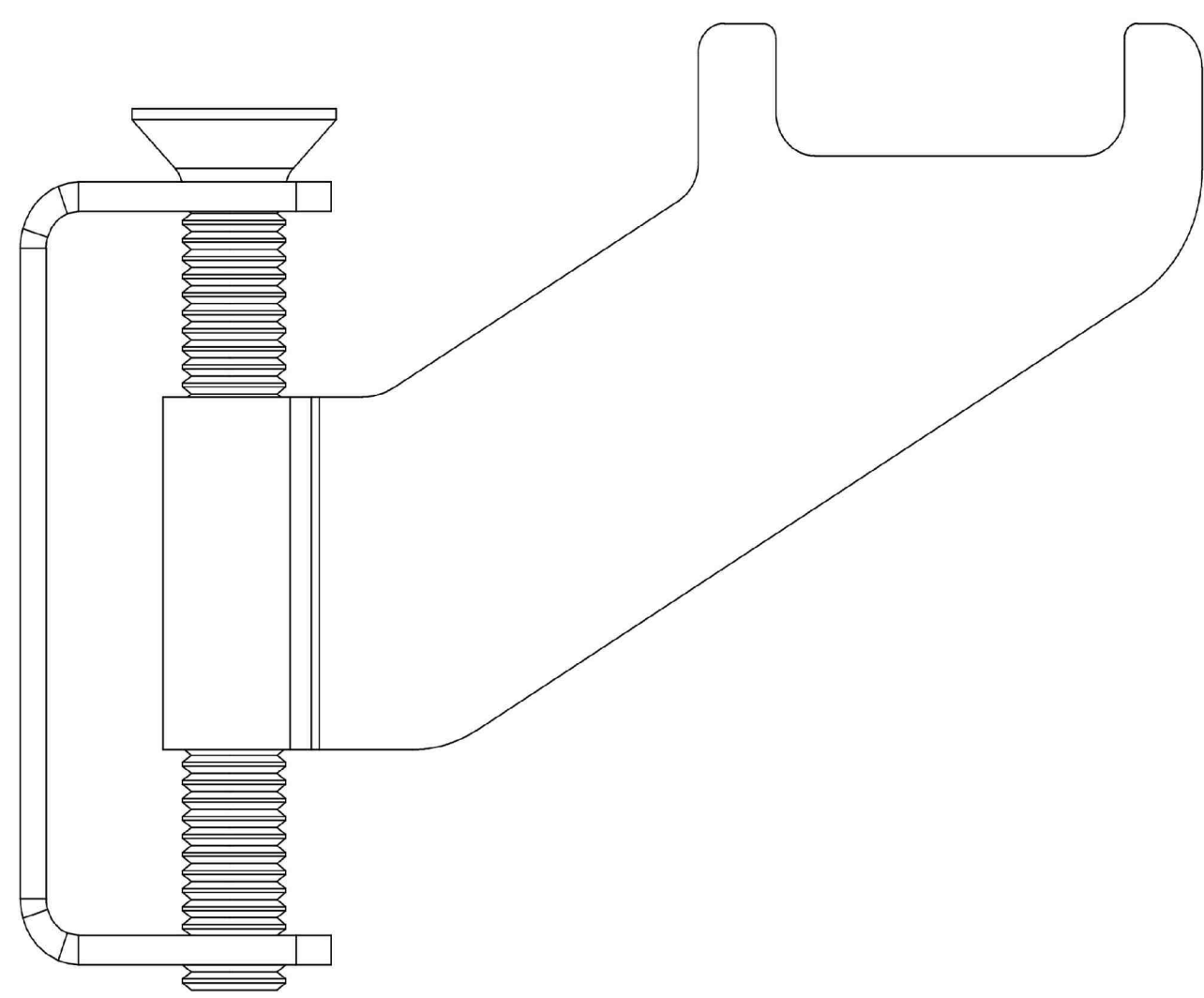
Installation Steps:

This instruction would help technicians to install the radiator on the correct way. Please be aware that the installation would be different **if the both control valve and lock shield valve are installed down and if they installed top and down.**

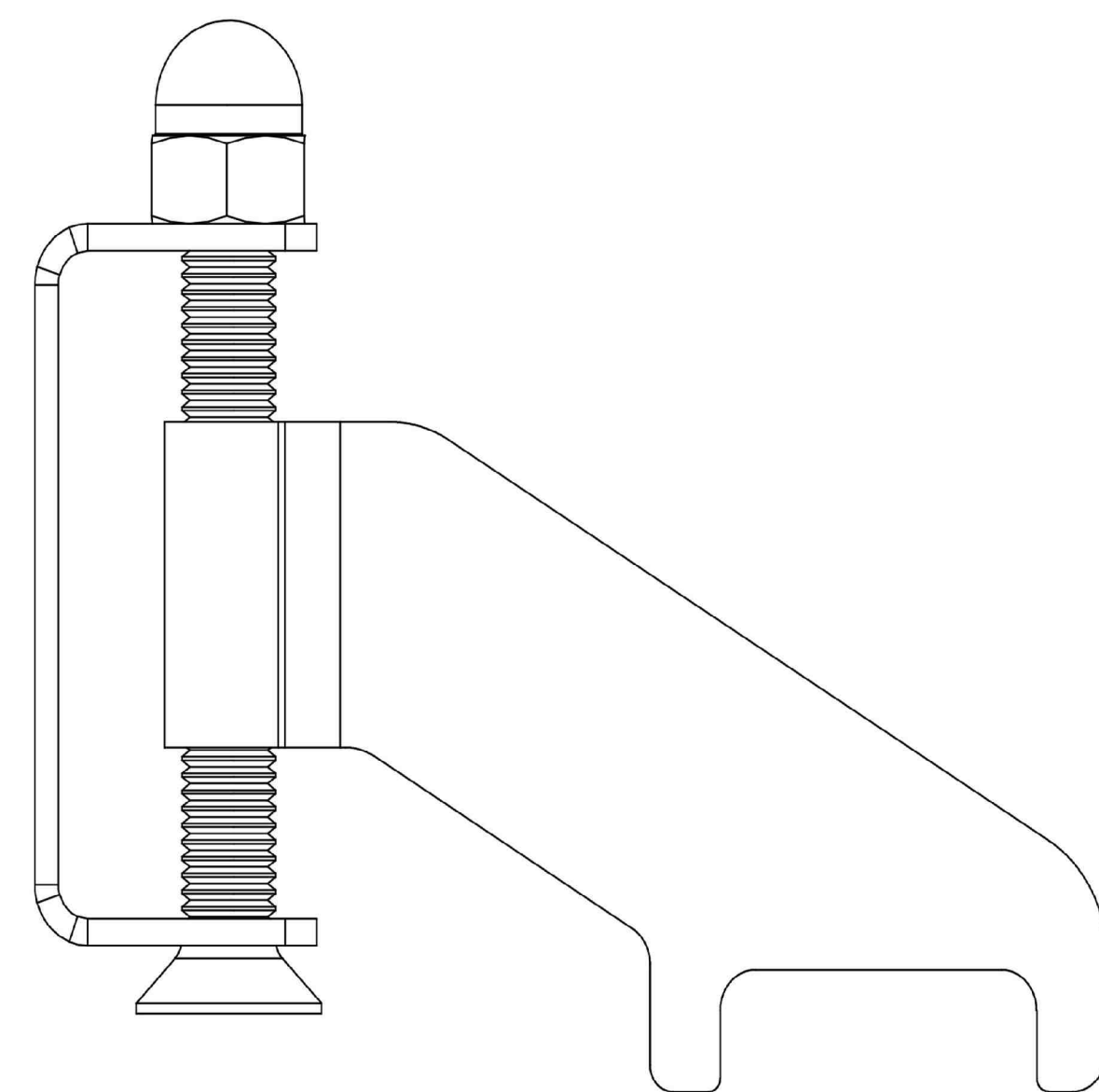


Fixing Brackets:

Your Radiator is supplied with **4 Fixing Brackets** . They are Specially Designed for "**Anit**" Radiators and you can **adjust the height of Top Bracket** during or after installation.

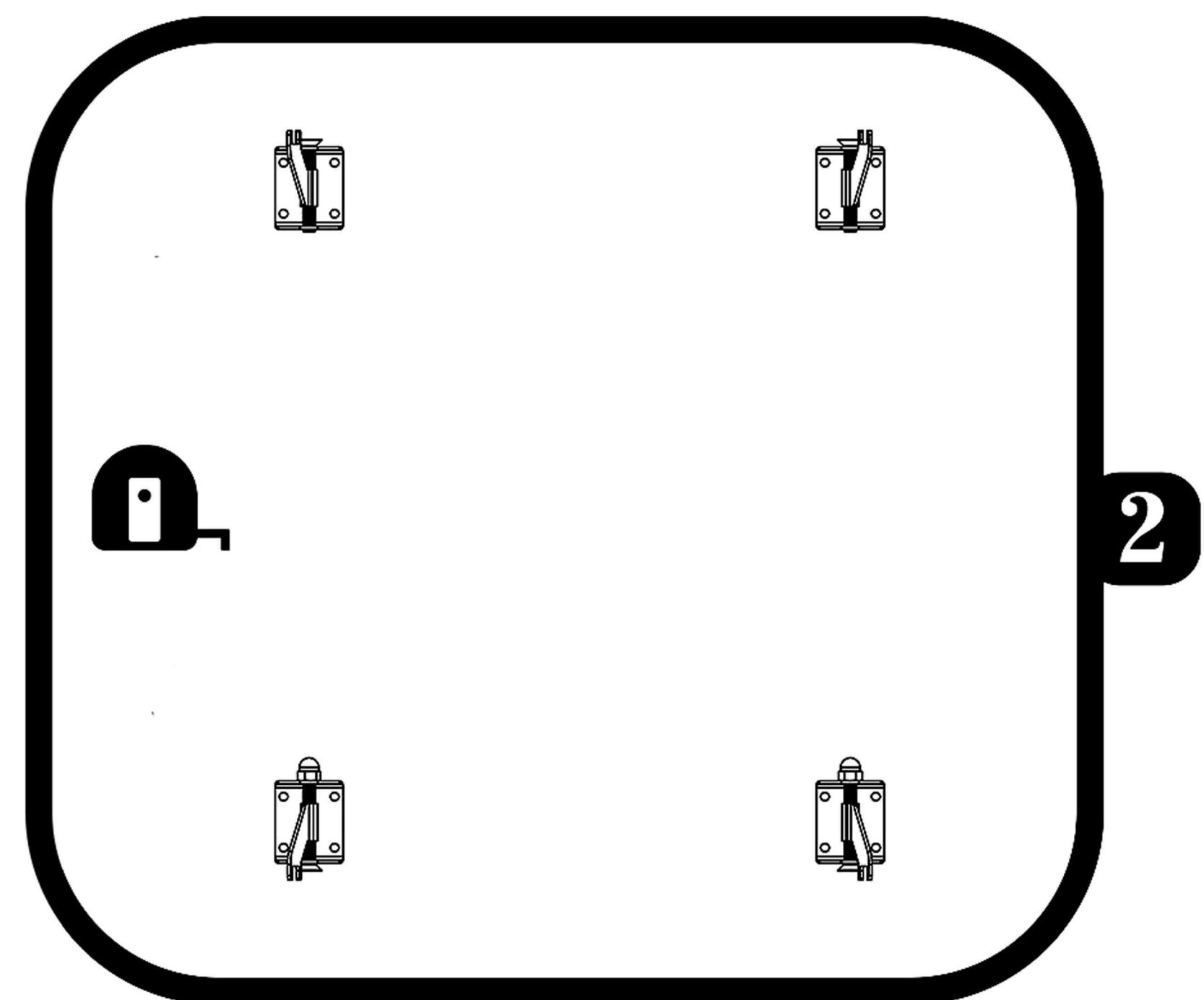
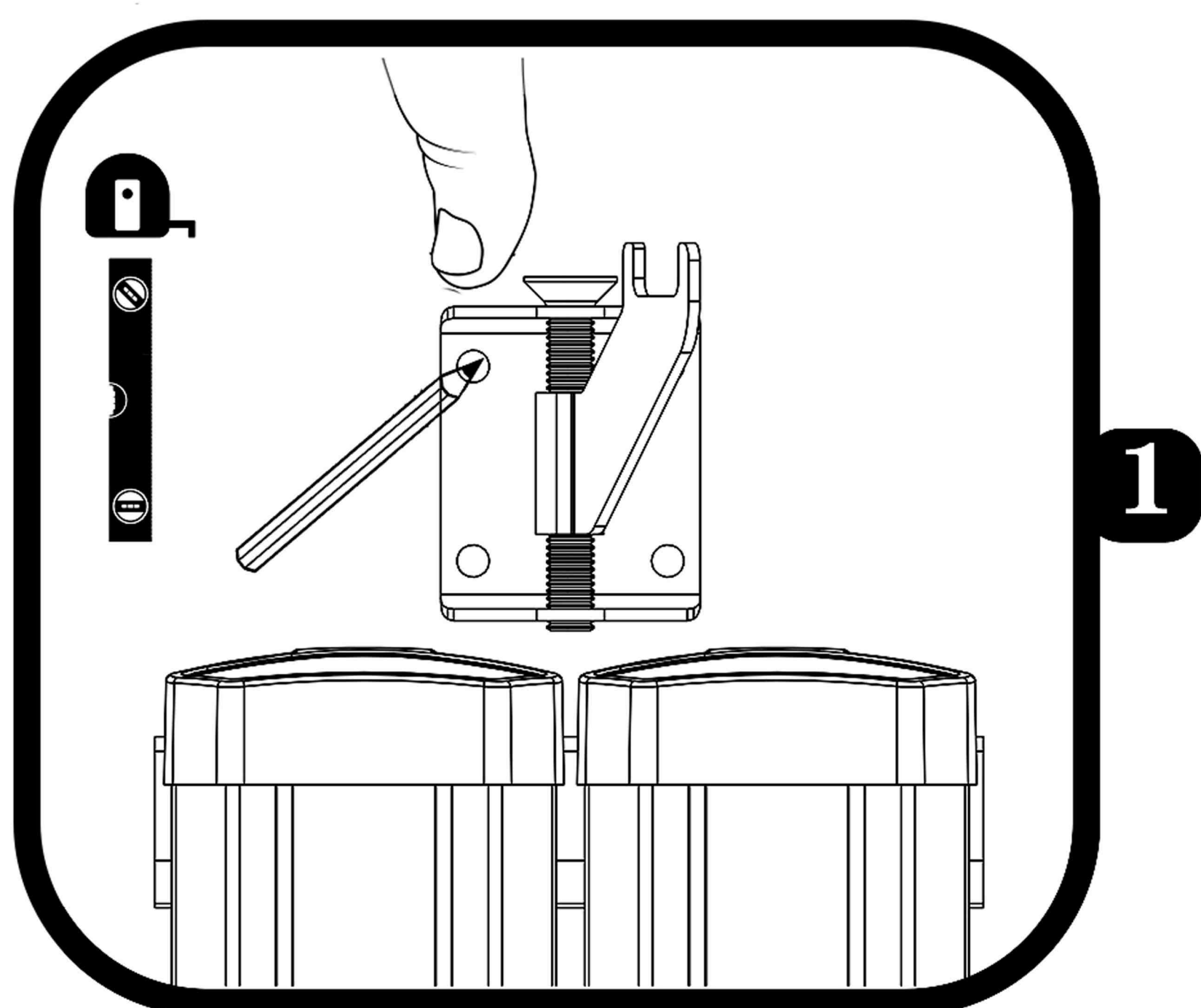


Top Bracket * 2



Bottom Bracket * 2

Installation Steps:

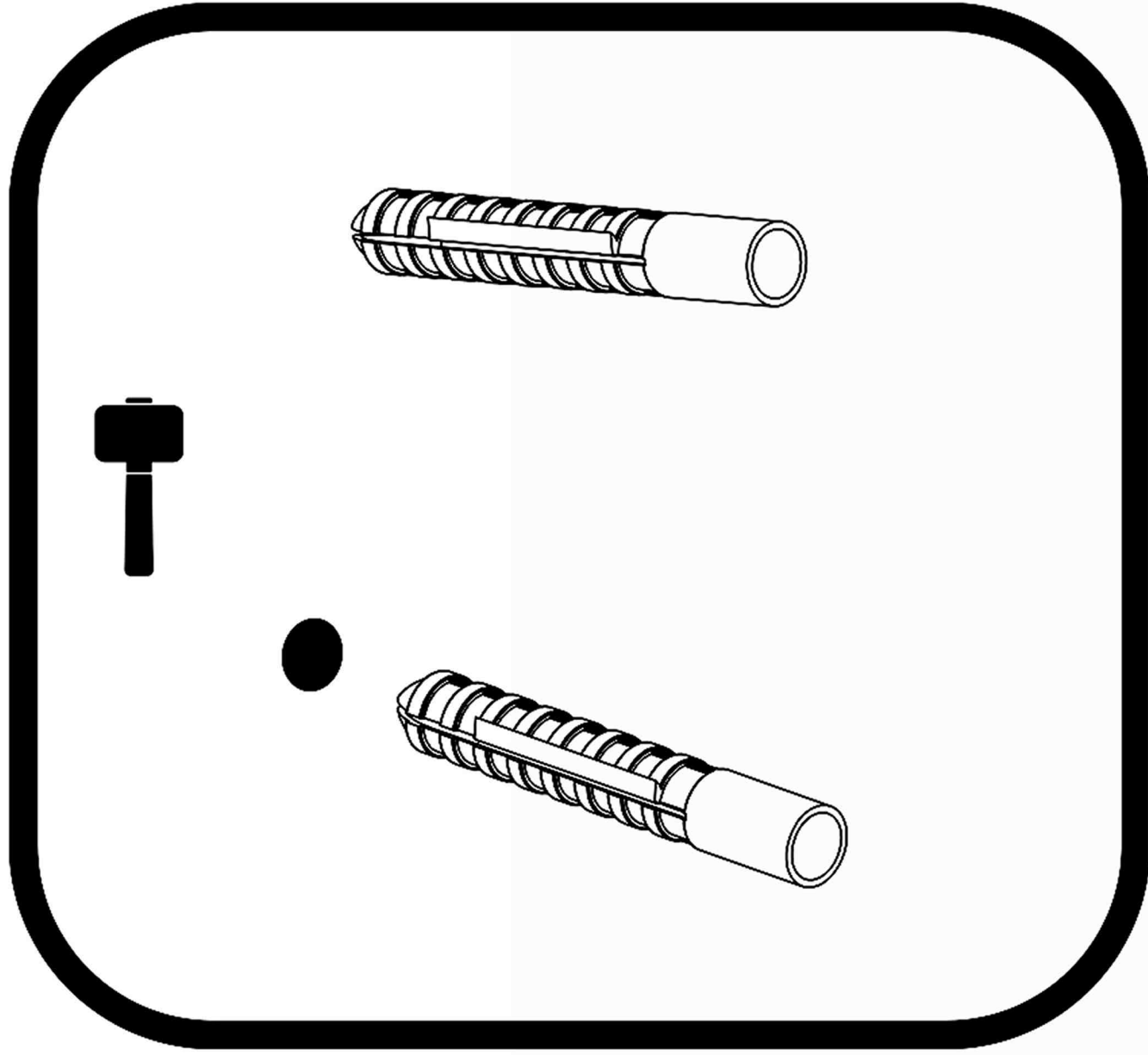


To mark the exact location of Fixing brackets for drilling , please use the dimensions specified for each model on pages 6 to 8 of this manual.

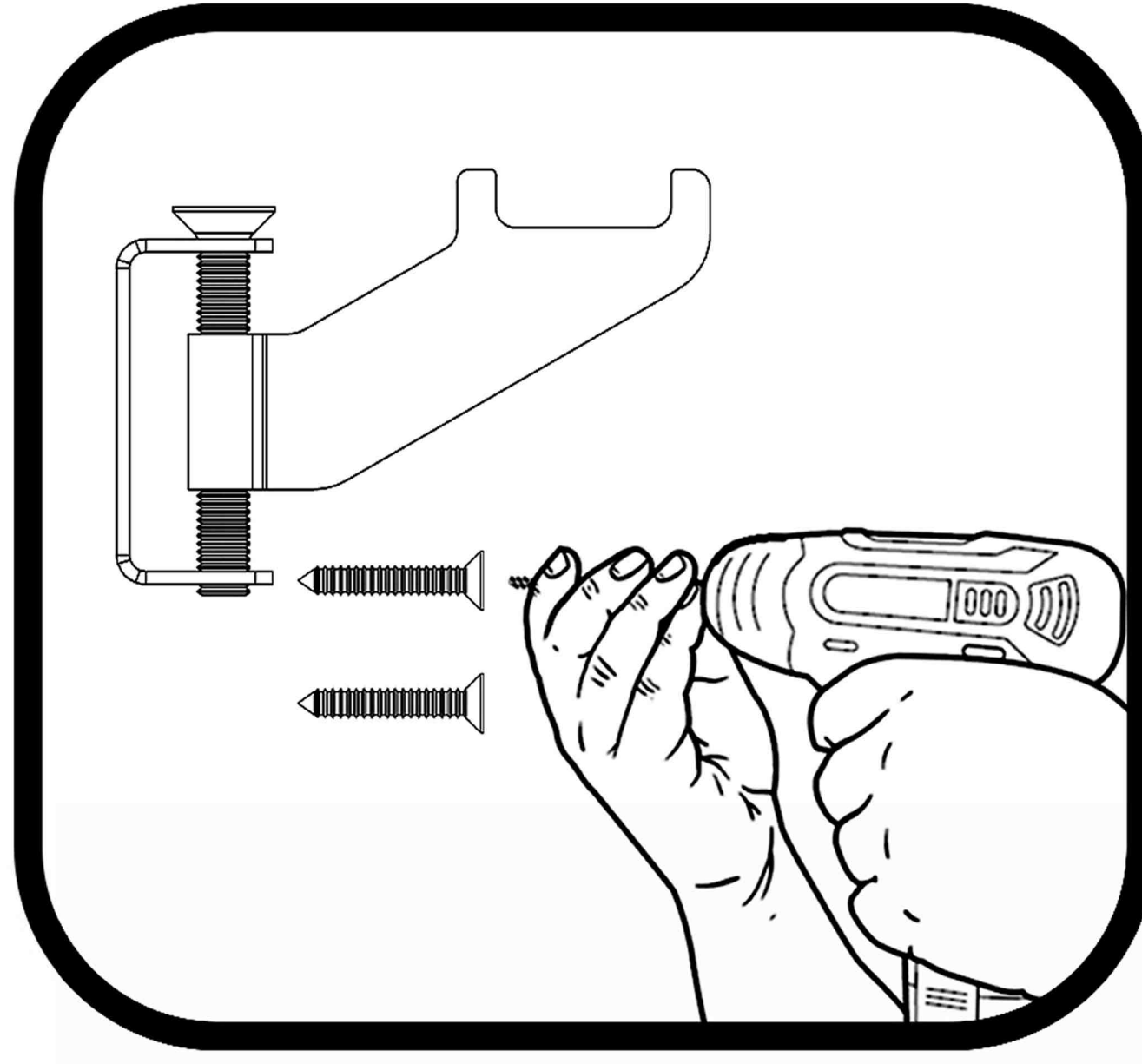
Anit Radiator

www.radiator-co.com

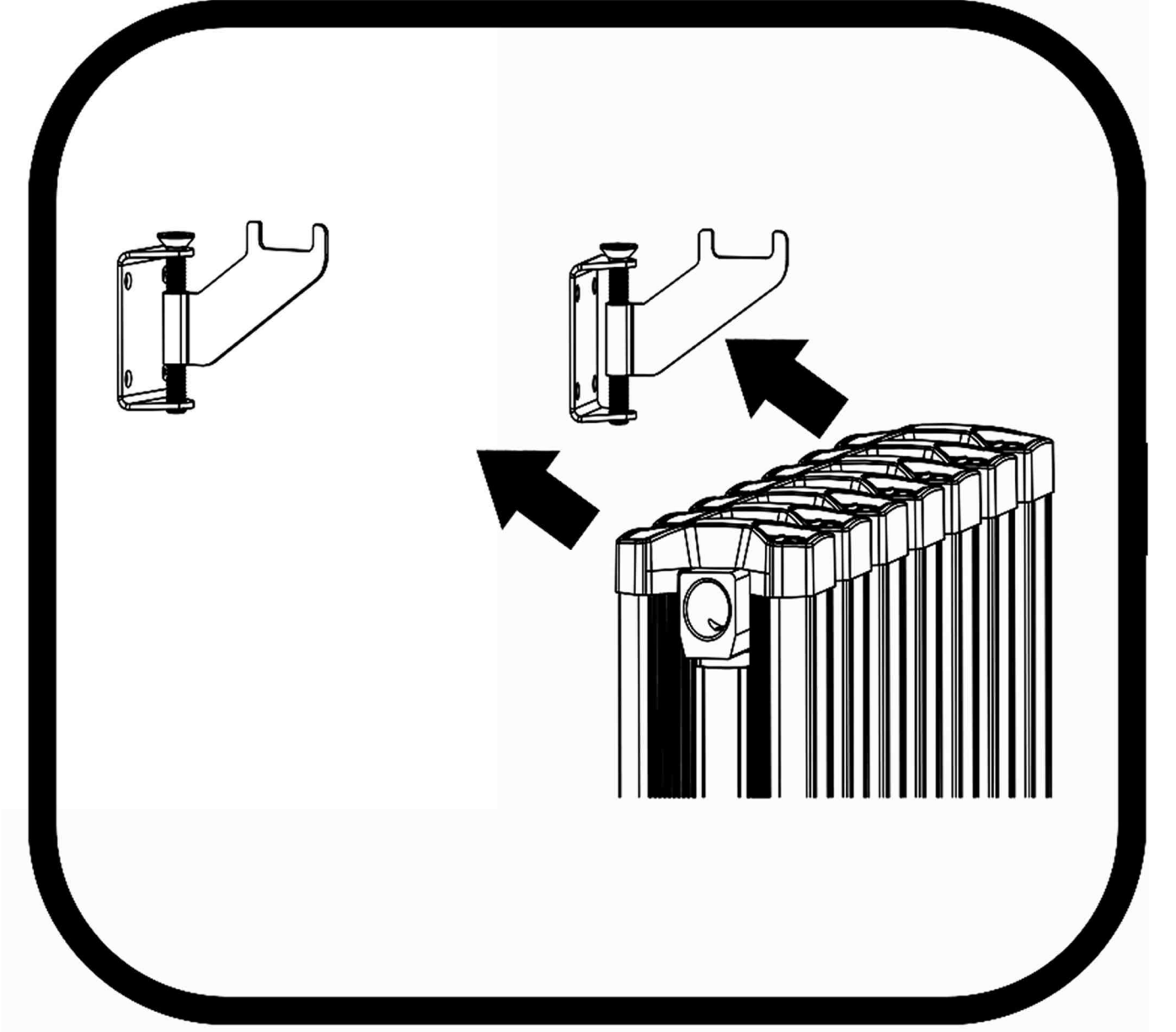
INSTALLATION GUIDE



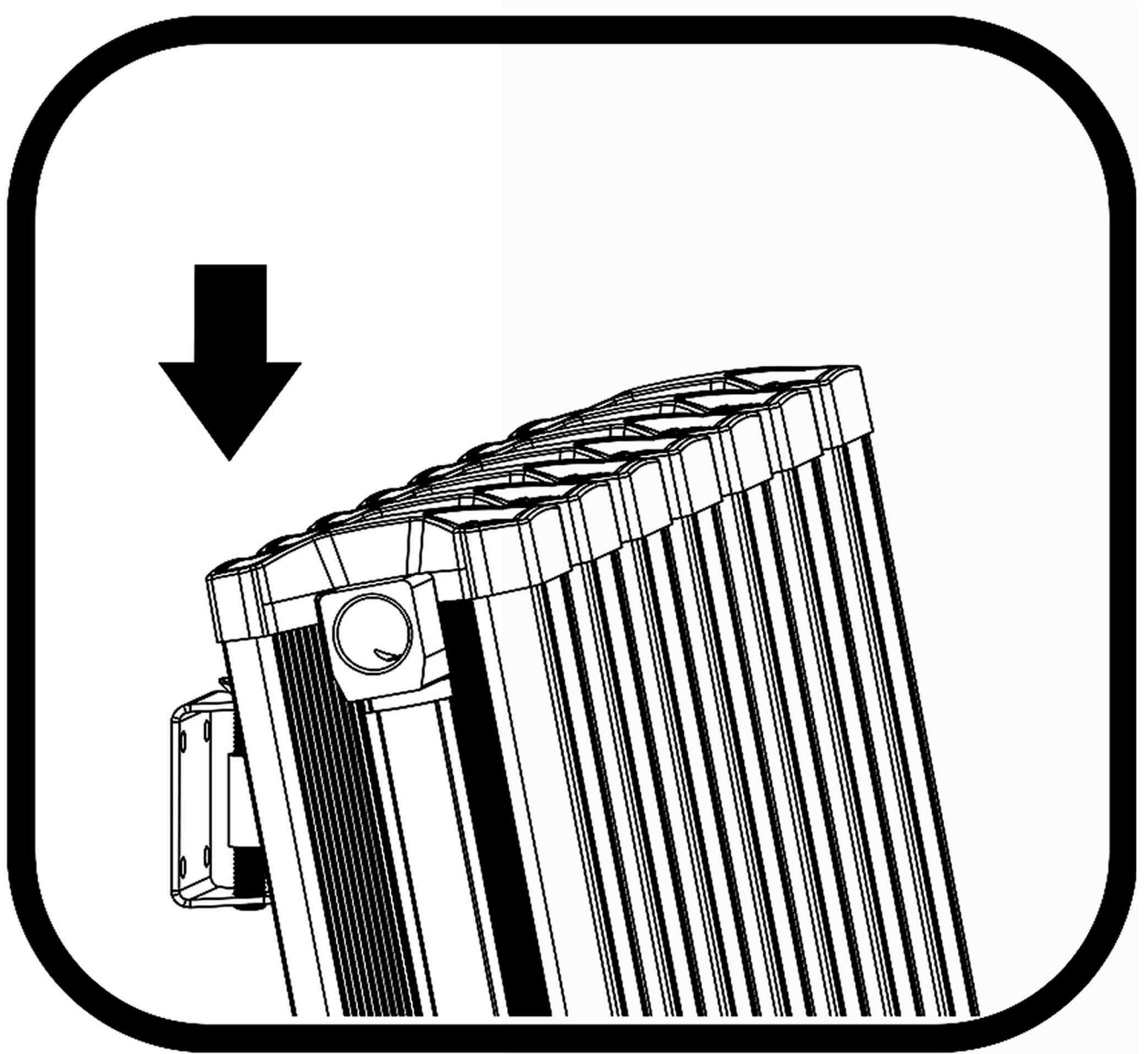
Step 3:
Place the Dowels .



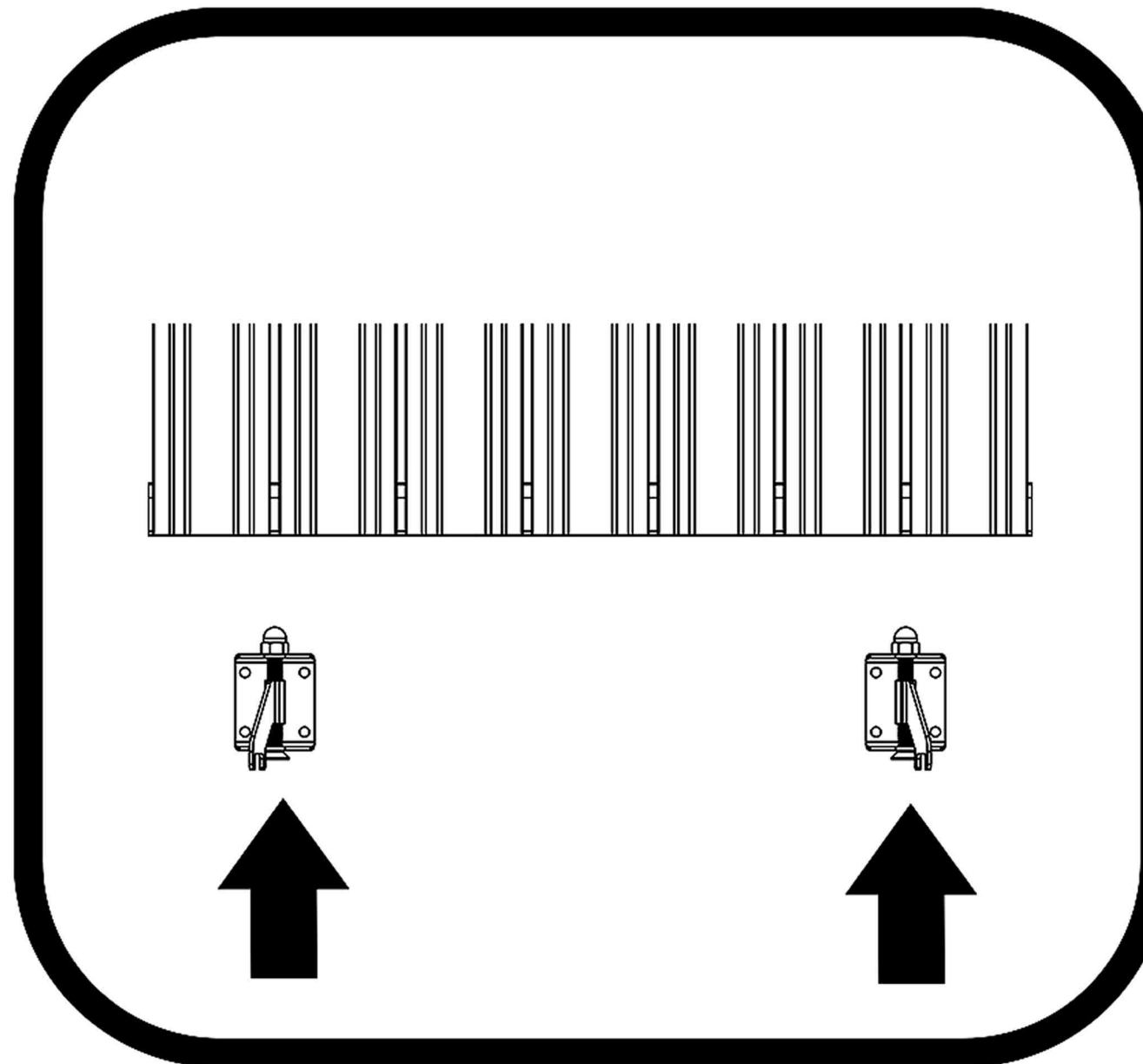
Step 4:
Tighten the Screws



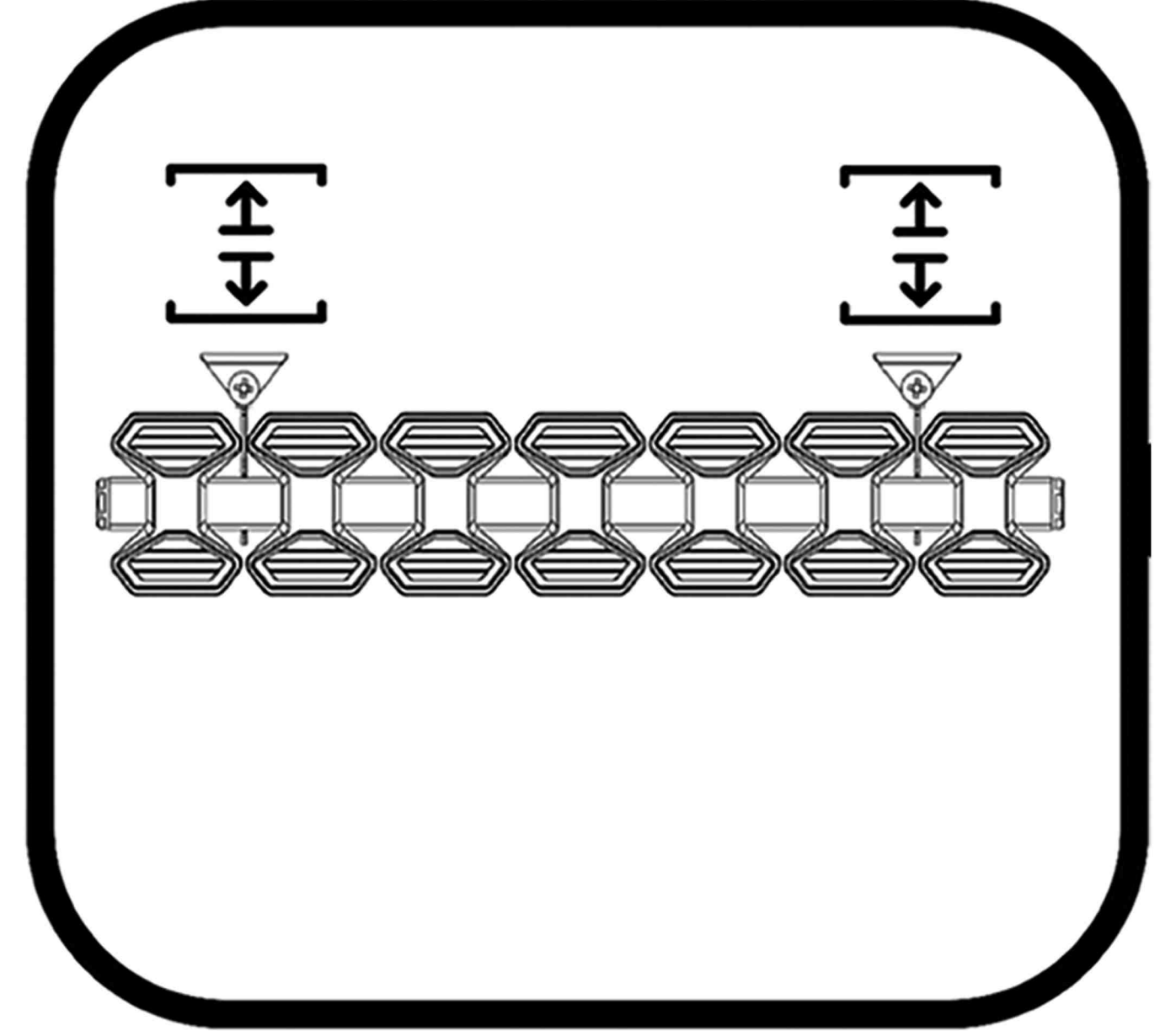
Step 5:
Place the Radiator onto the
Brackets. lift it higher and then
Slide down into Brackets .



Step 6:
Screw the top bracket
down to its lowest height.



Step 7:
Place the radiator from
bottom to the Brackets.



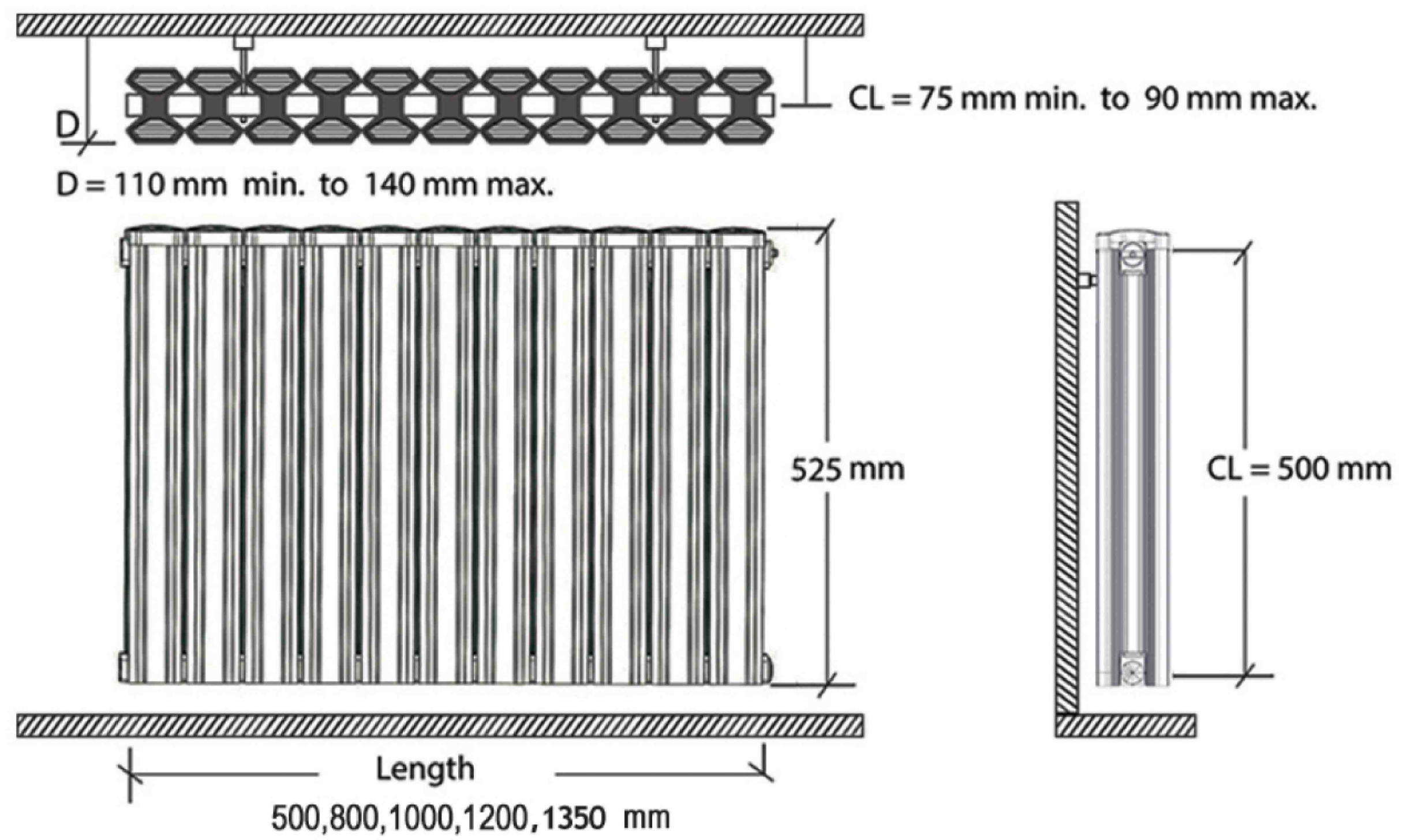
Step 8:
Tighten the Radiator by
Screwing up the Top Bracket .

Check all Connections for leaks. Remember leaks cause fresh water to be added to the system and will cause corrosion.

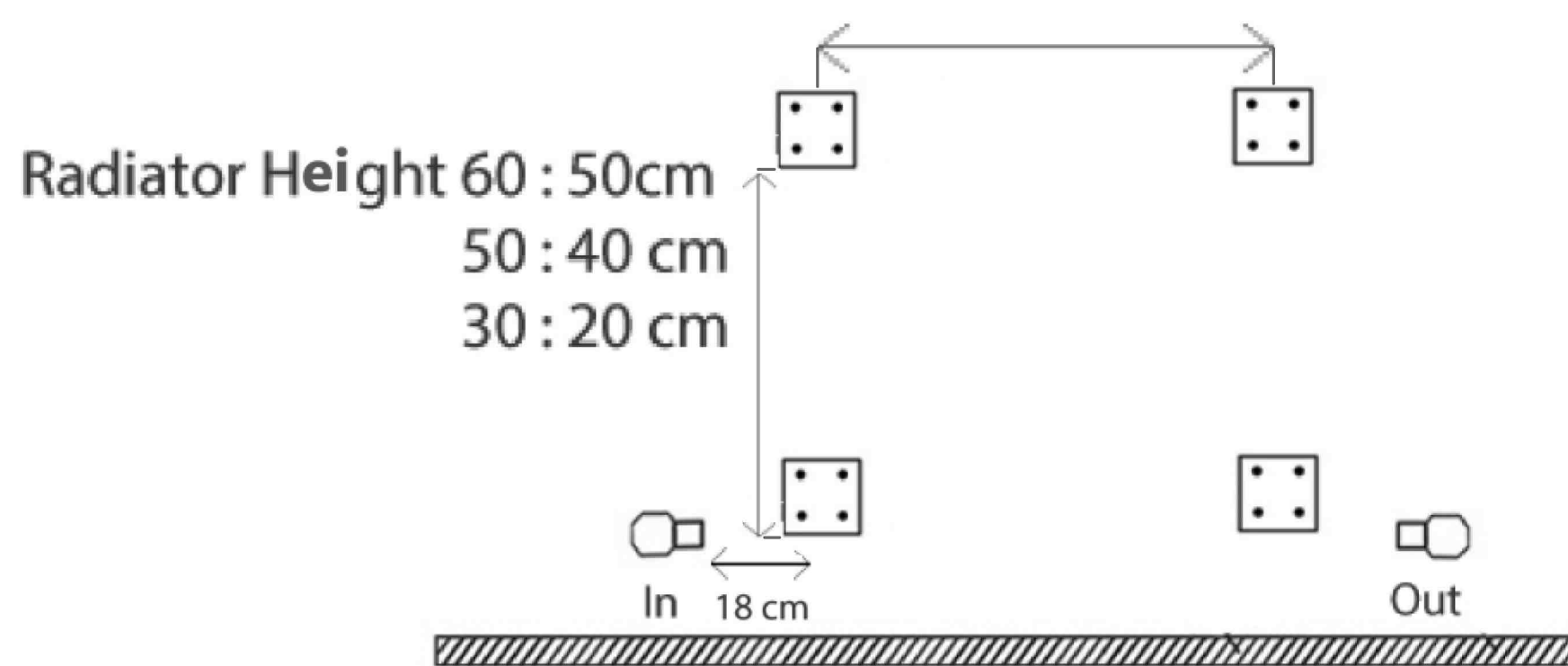
Installation Guide for Radiators:

Installation Guide for Horizontal Radiators:

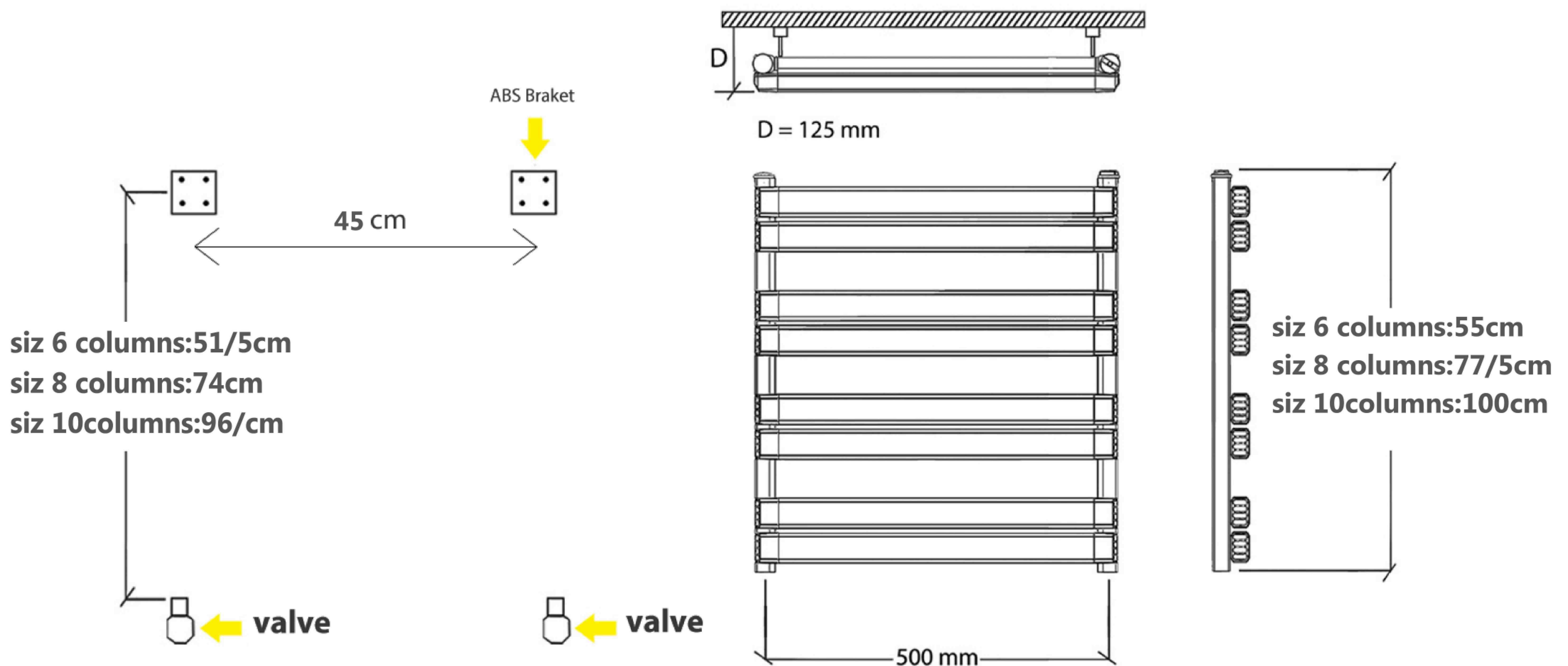
- pioneer
- superluxe
- onyx



Size: 50 cm: 21cm
 Size: 80 cm: 49cm
 Size: 100cm: 70cm
 Size: 120 cm: 91cm
 Size: 135 cm: 105cm



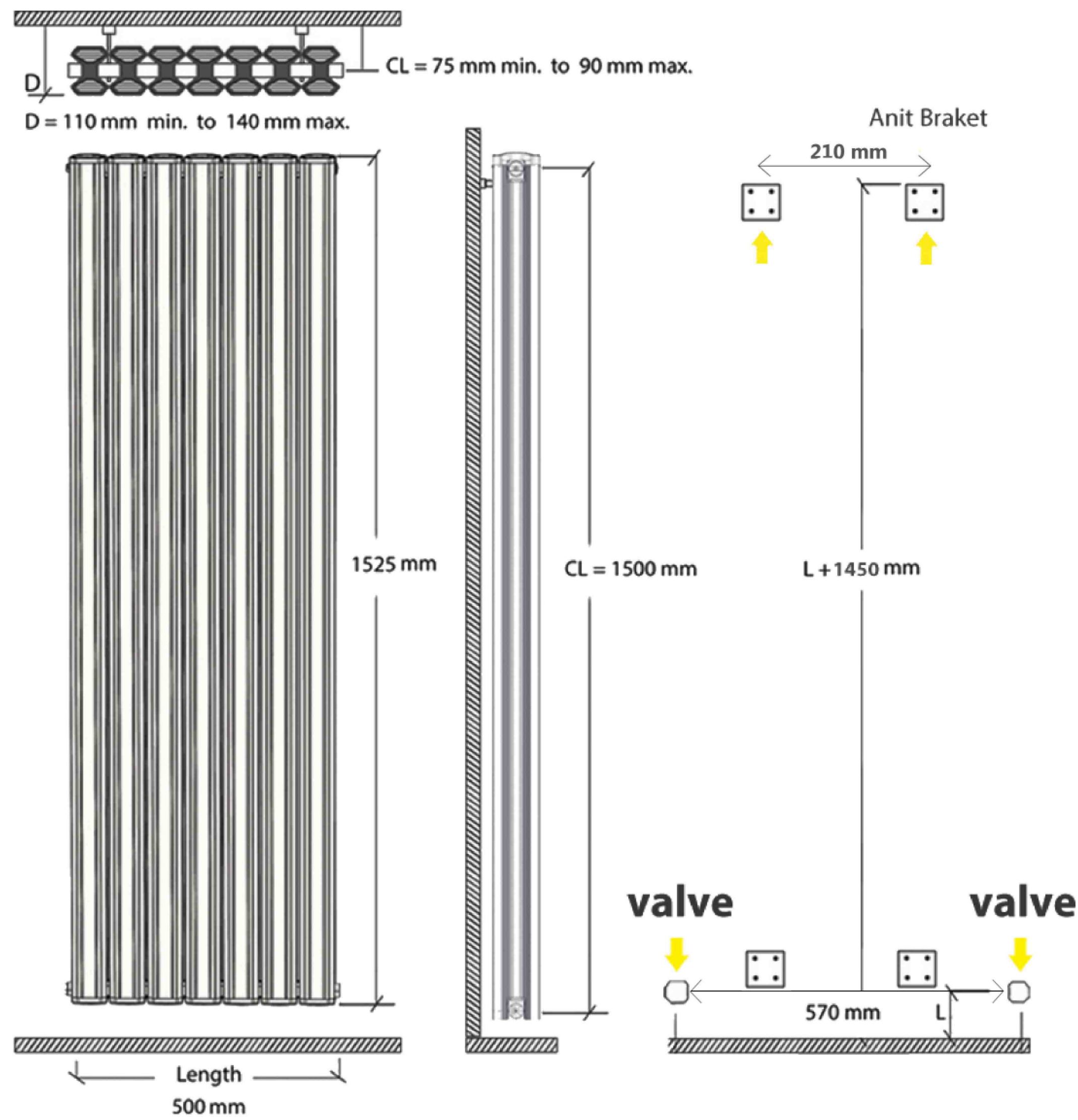
Installation Guide for venice towel dryer:



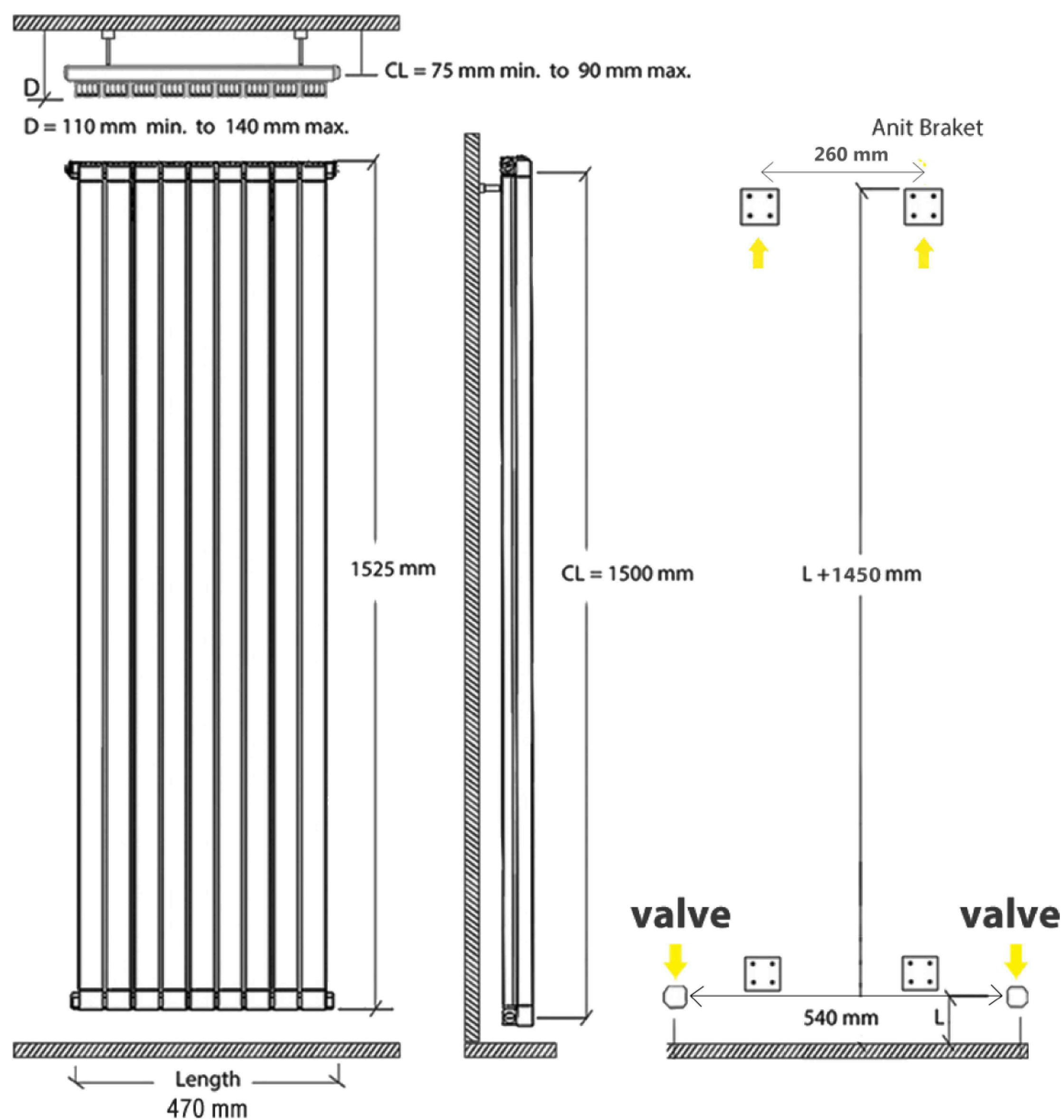
Anit Radiator

www.radiator-co.com

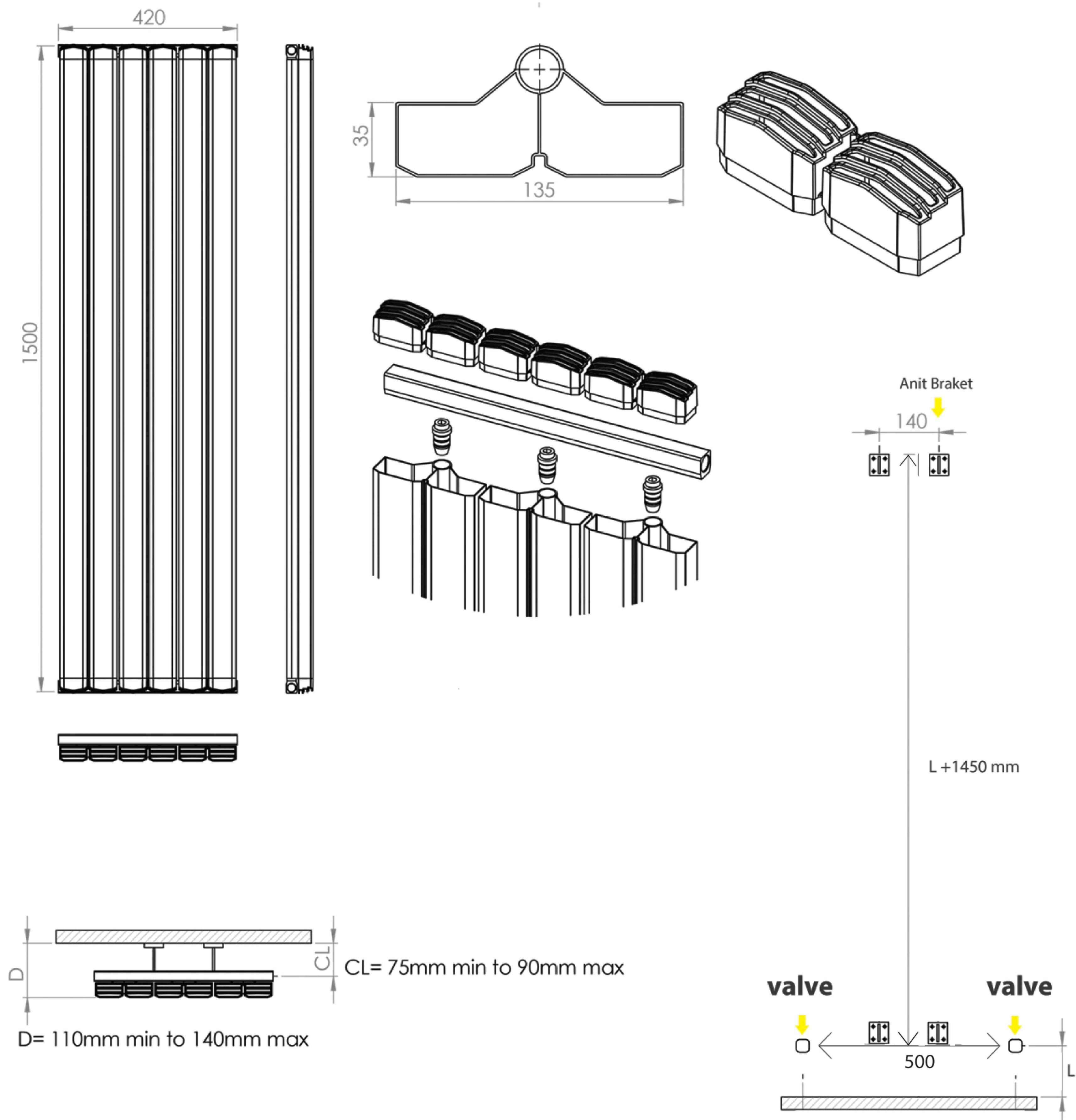
Installation Guide for Decorative and Vertical Model :



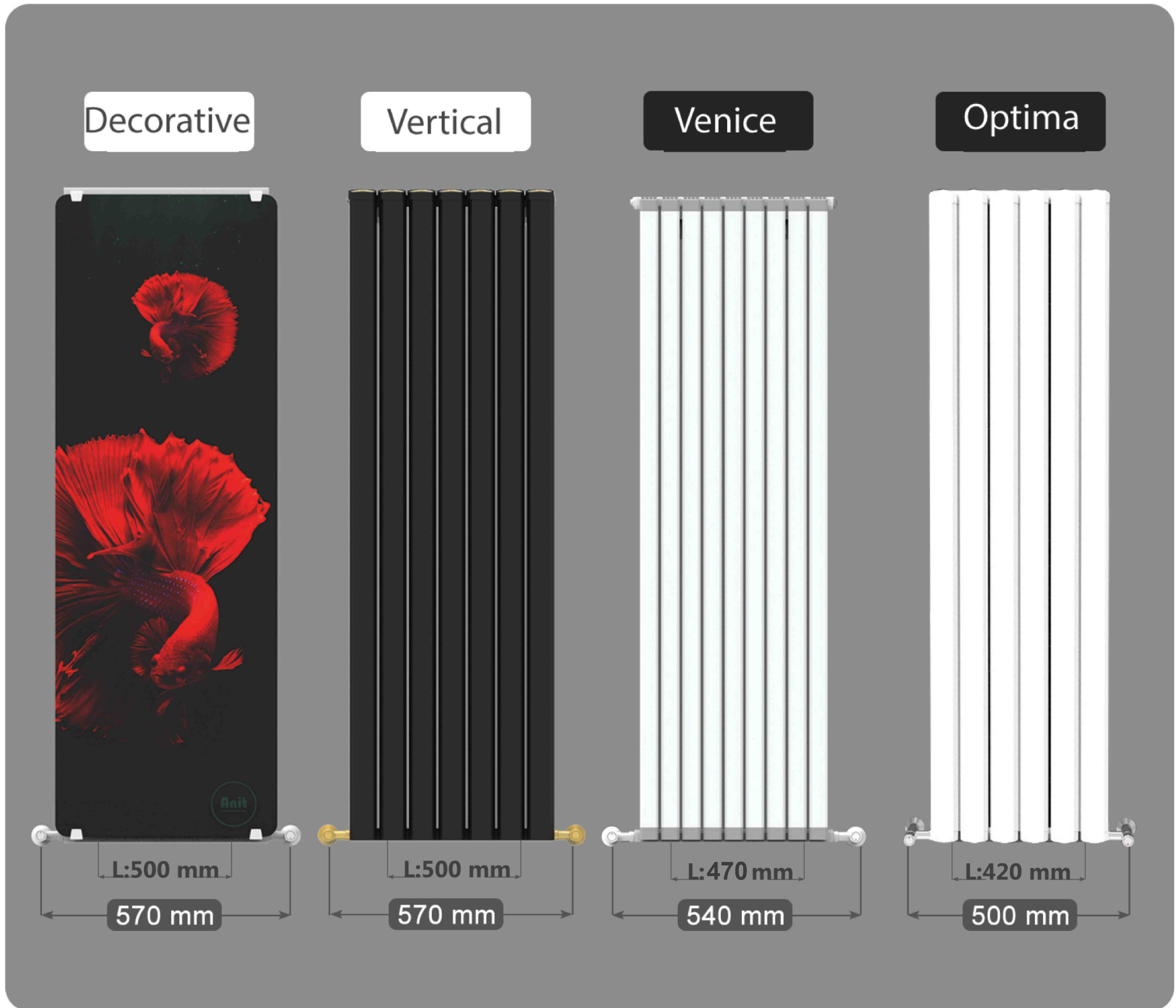
Installation Guide for Venice Model :



Installation for Optima Model :

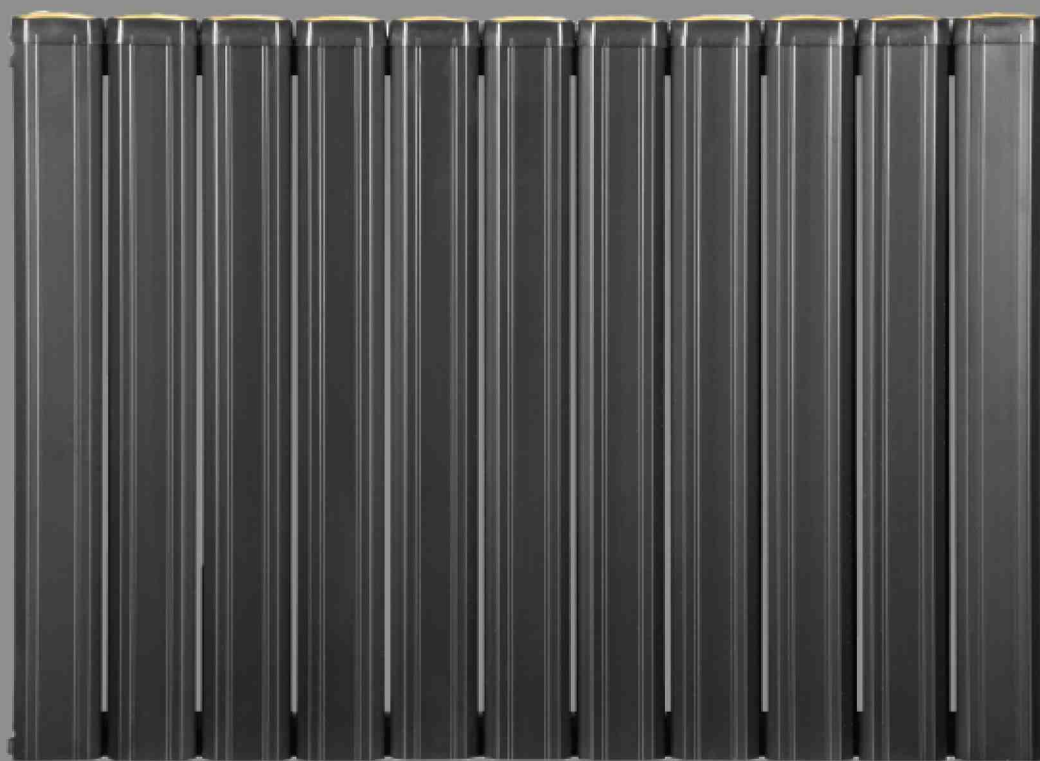


Pipe center of Vertical Radiators:



Model	Length	pipe Centre
Vertical and Decorative	500 mm	570 mm
Venice	470 mm	540 mm
Optima	420 mm	500 mm

Pipe center of Horizontal Radiators:



pioneer



Super luxe



onyx

Model	Number of Columns	Length	pipe Centre
Pioneer	7	490 mm	560 mm
	11	770 mm	840 mm
Onyx	14	980 mm	1050 mm
	17	1190 mm	1260 mm
Super Luxe	19	1330 mm	1400 mm

Care and Use

- Only clean the radiator when the surfaces are cold. Only use a moist cloth to clean the outer surfaces of the radiator. To remove more stubborn marks, use a neutral liquid detergent or soapy water. Do NOT use any abrasive cleaners, cleaning liquids, aerosols or polishing pastes.
- The heated air outlet at the top of the radiator can be periodically vacuumed clean.
- Do not place a shelf directly on top of the radiator.

Fault Finding

Reduced or no output from radiator

- Check boiler or Heat pump is operating correctly
- Check flow and return connections to radiator are correct. (Check uniform heating section of this guide)
- Check radiator is correctly vented
- Check radiator valves are open
- Check system is balanced, i.e. is the lock shield valve correctly set?

Guarantee

Anit Industrial Group guarantees the manufacture of the radiator for a period of ten years from the date of installation, unless the installation was more than six months from the date of purchase, in which case the guarantee period will commence six months from the date of purchase, provided that the radiator has been installed and used in full accordance with the installation instructions provided. See main Terms and Conditions below.

If a fault or defect occurs within the manufacturer's guarantee period

If your radiator should have a fault within the guarantee period, it will be covered under the terms of the guarantee, providing that the radiator has been correctly installed and commissioned by competent person and the fault is not due to tampering, debris, system water contamination, misuse, trapped air or the failure of any external components not supplied by Anit Industrial Group. e.g. valves, etc. This ten-year guarantee only applies if the radiator is installed and used in full accordance with the installation instructions and proof of purchase is available on request.

In the first instance

Contact your installer to ensure that the fault does not lie with the system operation, system components or any incorrect setting of the heating system or boiler/heat pump controls that falls outside of the manufacturer's guarantee otherwise a service charge could result. Anit Industrial Group will not be liable for any charges arising from this process.

If a fault covered by the manufacturer's guarantee is found

Ask your installer to contact Anit Industrial Group,

UK Customers Service: 01618320821

Remember - before you contact Anit industrial Group:

- Ensure the radiator has been installed and commissioned by a competent person in accordance with the installation instructions.
- Ensure the problem is not being caused by the heating system or its controls.

Free of charge repairs

- During the Ten-year guarantee period no charge for parts will be made provided that the radiator has been installed and commissioned correctly in accordance with the manufacturer's installation instructions.
- This guarantee does not cover any labor or associated costs incurred in replacing a faulty radiator.
- Proof of purchase must be made available to Anit Industrial group on request.

Chargeable repairs

A charge may be made (if necessary following testing of parts) if the breakdown is due to any fault(s) caused by the plumbing or heating system, e.g. contamination of parts due to system contamination, sludge, scale, debris or trapped air. Refer to 'Extent of manufacturer's guarantee'.

Extent of manufacturer's guarantee:

The manufacturer's guarantee does NOT cover the following:

- If the radiator has been installed for over Ten years.
- If the radiator has not been installed and commissioned by a competent person in accordance with the installation instructions.
- Fault(s) due to accidental damage, tampering, unauthorized adjustment, neglect, misuse or operating the radiator contrary to the manufacturer's installation instructions.
- Damage due to external causes such as bad weather conditions (flood, storms, lightning, frost, snow, or ice), fire, explosion, accident or theft.
- Fault(s) due to incorrectly sized expansion vessel(s), incorrect vessel charge pressure or inadequate expansion on the system.
- Heating system servicing, de-scaling or flushing.
- Checking and replenishing system pressure.
- Heating system components such as pipes, fittings, pumps, valves and controls not supplied by Anit Industrial Group.
- Use of spare parts not authorized by Anit Industrial Group. If the heating system contains antifreeze or any other chemical fluid, the proper pH must be maintained. High or low pH will damage the radiator and void the manufacturer's warranty.

Serial Number:	Warranty Expiration Date:
	Installation Date:
Quality Control: Eng, Zamani :	Technician detail:

